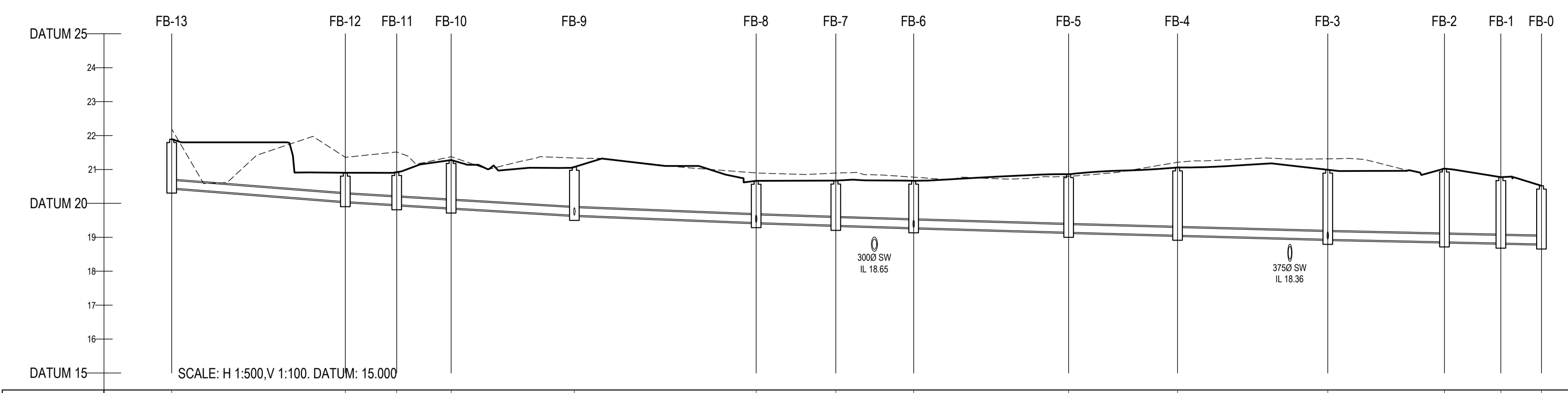
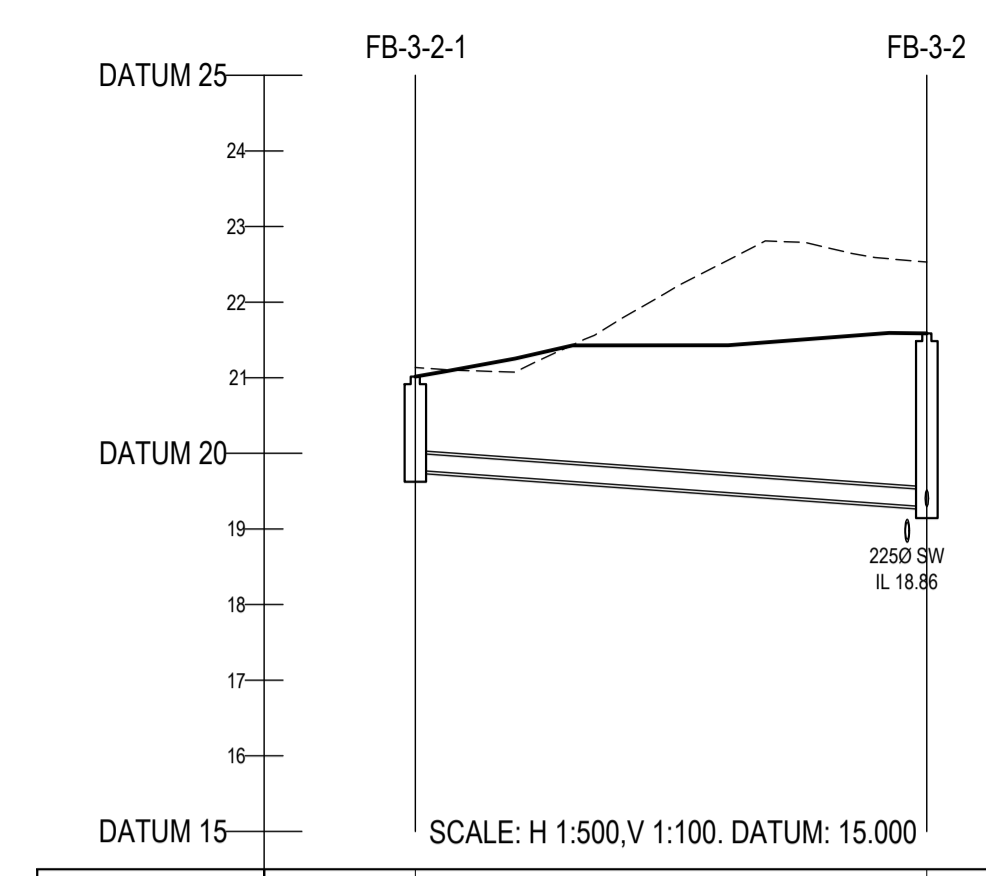


NOTES:

- ALL DRAWINGS TO BE CHECKED BY CONTRACTOR ON SITE AND ENGINEER INFORMED OF DISCREPANCIES BEFORE WORK COMMENCES
- ALL LEVELS ARE IN METRES AND ARE RELATED TO ORDINANCE DATUM
- CONTRACTOR SHALL SATISFY HIMSELF AS TO THE ACCURACY OF PAVEMENT LEVELS ON SITE PRIOR TO COMMENCEMENT OF WORKS ON SITE
- ALL WORKS TO BE CONSTRUCTED IN ACCORDANCE WITH THE NRA SPECIFICATION FOR ROAD WORKS UNLESS NOTED OTHERWISE
- THIS DRAWING IS FOR PLANNING PURPOSES ONLY
- MANHOLE COVER LEVELS ARE TO CONFORM WITH FINISHED ROAD AND PATH LEVELS
- WHERE COVER TO PIPE IS LESS THAN 1200mm (ROADPATH VERGE) OR 900mm (OPEN SPACE) SURROUND PIPE IN MINIMUM 150mm CONCRETE



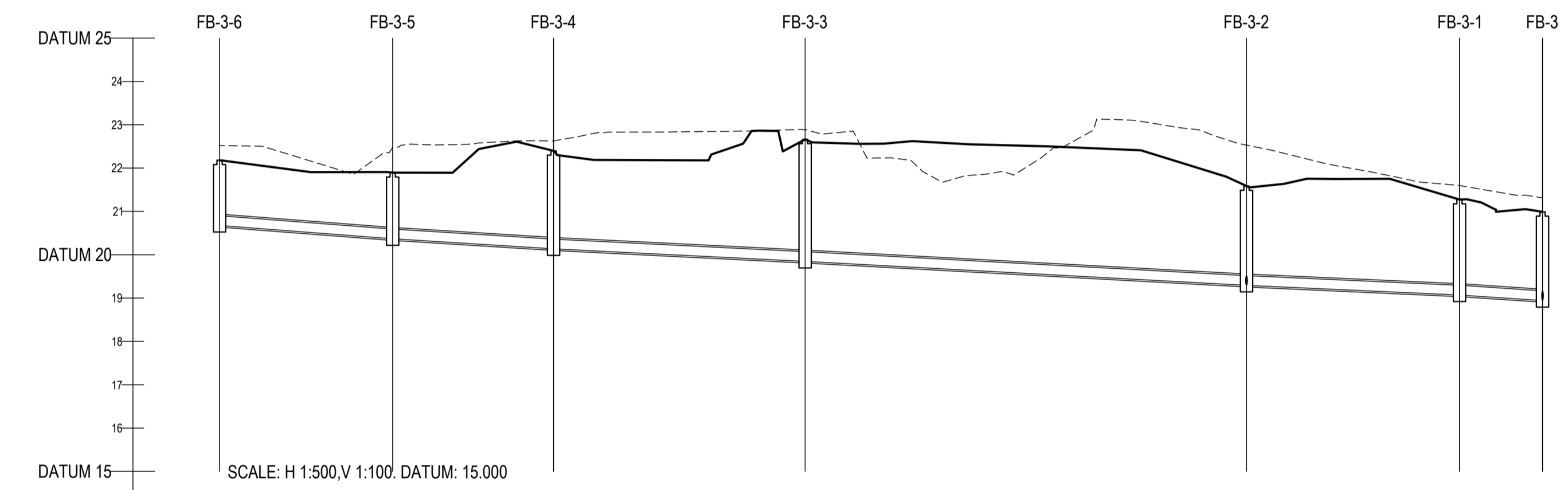
COVER LEVEL	21.693	20.902	20.923	21.278	21.075	20.665	20.671	20.665	20.859	21.059	20.991	21.025	20.773	20.520
INVERT LEVEL	20.454	20.054	20.002	19.986	19.650	19.425	19.425	19.396	19.150	19.002	18.942	18.867	18.831	18.805
DEPTH (m)	1.439	0.848	0.961	1.412	1.425	1.200	1.240	1.315	1.709	1.997	2.049	2.158	1.942	1.715
DISTANCE (m)		25.61	7.58	8.03	18.17	26.81	11.75	11.48	22.86	16.06	22.16	17.21	8.32	5.98
PIPE SLOPE		1.64	1.82	1.84	1.84	1.125	1.149	1.159	1.171	1.183	1.229	1.231	1.230	
PIPE SIZE		225mm	225mm	225mm	225mm	225mm	225mm	225mm	225mm	225mm	225mm	225mm	225mm	



COVER LEVEL	21.015	21.585
INVERT LEVEL	19.775	19.203
DEPTH (m)	1.240	2.382
DISTANCE (m)		33.83
PIPE SLOPE		1.70
PIPE SIZE		225mm

KEY

- EXISTING GROUND PROFILE
- PROPOSED GROUND PROFILE



COVER LEVEL	22.161	21.893	22.398	22.863	21.585	21.274	20.981
INVERT LEVEL	20.675	20.398	20.136	19.846	19.293	19.070	18.942
DEPTH (m)	1.506	1.525	2.262	2.917	2.292	2.204	2.049
DISTANCE (m)		19.97	18.56	29.02	50.93	24.57	9.58
PIPE SLOPE		1.65	1.80	1.100	1.92	1.110	1.75
PIPE SIZE		225mm	225mm	225mm	225mm	225mm	225mm

rev	date	description	RMC	EDA
		A - Approved		
		B - Approved with comments		
		C - Do not use		

S2 - INFORMATION PLANNING

DBFL Consulting Engineers
Civil, Structural & Transportation Engineering
www.dbfl.ie

DUBLIN OFFICE: Ormond House, Upper Ormond Quay, Dublin 7, D07 W704
PHONE +353 1 454 4000

CORK OFFICE: Phoenix House, Monahan Road, Cork, T12 H1XV
PHONE +353 (0) 21 2054538

WATERFORD OFFICE: Suite 10 The Arkun, Maritime Gate, Canada Street, Waterford, X91 WC08
PHONE +353 51 309 500

project ref.

SANDFORD ROAD, MILLTOWN

drawing title

FOWL WATER LONGSECTIONS SHEET
2

client

SANDFORD LIVING LIMITED

designed by	author	scale	sheet size
EDA	RMC	AS SHOWN	A1
drawing no.	revision		
190226-DBFL-FW-SP-DR-C-3002	P01		